



UNION



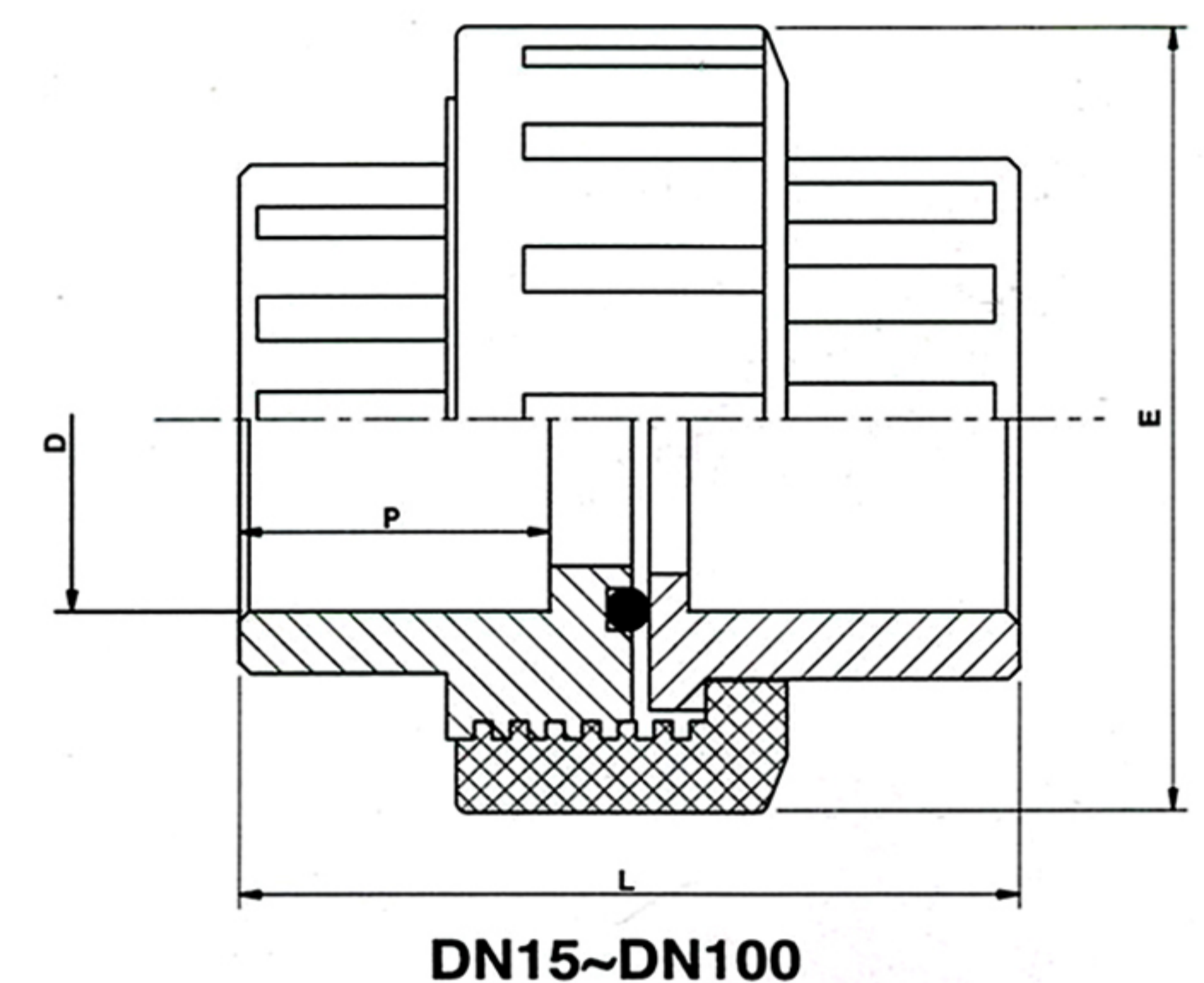
ISO 9001



EU Series

EU 100:SOCKET / EU 200: THREAD
Size: 1/2" to 4"

| No. | Parts | Materials | Pcs. |
|-----|---------------|---------------------|------|
| 1 | BODY | PVC, PP, CPVC, PVDF | 1 |
| 2 | UNION NUT | PVC, PP, CPVC, PVDF | 1 |
| 3 | END CONNECTOR | PVC, PP, CPVC, PVDF | 1 |
| 4 | O'RING | EPDM,VITON | 1 |



| Nom.Size m/m(inch) | E | D | | | L | | P | | |
|-----------------------|-----|-----|-------|-----|-----|-----|-------|-------|------|
| | | JIS | ANSI | DIN | S | TS | JIS | ANSI | DIN |
| 15(1/2") | 47 | 22 | 21.3 | 20 | 55 | 57 | 22.22 | 22.22 | 16.0 |
| 20(3/4") | 61 | 26 | 26.7 | 25 | 68 | 64 | 25.40 | 25.40 | 18.5 |
| 25(1") | 70 | 32 | 33.4 | 32 | 75 | 72 | 28.60 | 28.60 | 22.0 |
| 25(1")CNS | 67 | 34 | - | - | 75 | 77 | 28.60 | - | - |
| 32(1-1/4") | 81 | 38 | 42.2 | 40 | 81 | 81 | 31.70 | 31.70 | 26.0 |
| 32(1-1/4")CNS | 89 | 42 | - | - | 92 | 92 | 31.70 | - | - |
| 40(1-1/2") | 89 | 48 | 48.3 | 50 | 90 | 90 | 34.90 | 34.90 | 31.0 |
| 50(2") | 101 | 60 | 60.3 | 63 | 102 | 102 | 38.10 | 38.10 | 37.5 |
| 65(2-1/2") | 150 | 76 | 73.0 | 75 | 87 | 115 | 44.50 | 44.50 | 43.5 |
| 80(3") | 184 | 89 | 88.9 | 90 | 118 | 136 | 47.60 | 47.60 | 51.0 |
| 100(4") | 199 | 114 | 114.3 | 110 | 156 | 156 | 57.20 | 57.20 | 61.0 |

S:Screwed

TS:Socket